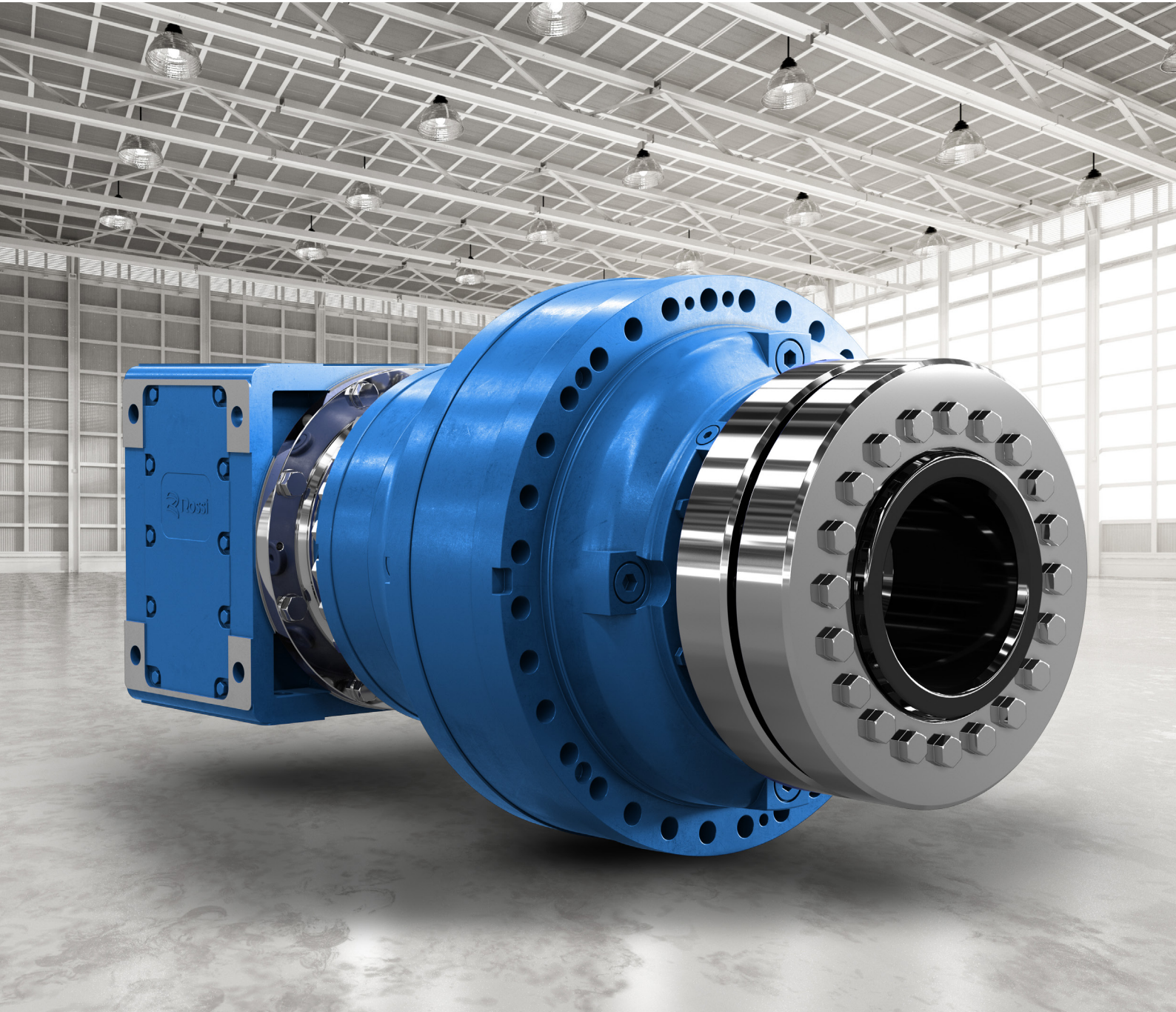


EP King series



High torque and power
Planetary and Combined units

rossi.com

TS TECH
DRIVE & MOTION

Rossi 공식 조립센터
(주)티에스테크솔루션

Rossi for You



Innovation

Rossi offers a wide range of solutions for an evolving industry, flexible and innovative gearboxes and gearmotors for customer tailored solutions to maximize performance and minimize the total cost of ownership.



High quality, 3 years warranty

Our drive is to innovate and boost operations by manufacturing performing, precise, reliable and high-quality products all over the world. We are always one step forward in offering and developing solutions that can satisfy an unlimited number of application needs, even in the most demanding conditions.



Reliability

We are a reliable company with the right flexibility and know-how to respond to worldwide market requests, in all application fields, without leaving aside our commitment for the environment and value on human safety, to protect everyone's future.



Tools and processes

We continue to invest in new tools and processes, so our highly skilled specialist team in different fields are supporting you to find the best solution suitable for your demands, always by your side on every step of the project.



After-sale service

Highly trained mechanics and support teams can ensure a fast and efficient after-sale service providing support worldwide.



Digital support

Alongside our 24/7 Rossi for You support portal you have a suite of digital support tools enabling real time access to your order tracking, invoices, spare part tables download and contact to our service.

70
YEARS

Experience

Shaped by more than 70 years of history Rossi meets your unique needs whether you need a standard design or a customized solution.



Global presence local service



Local support

Sales, customer service,
technical support, spare parts



17 branches*



Worldwide distribution network*

A global network of subsidiaries and dealers. From design and execution to after-sales service. Rossi is always close to you: a local, reliable and flexible partner.

Alongside our 24/7 **Rossi for You** portal you have a suite of digital support tools enabling real time access to your order tracking, invoices, spare part tables download and contact to our service.

*All contacts available on www.rossi.com





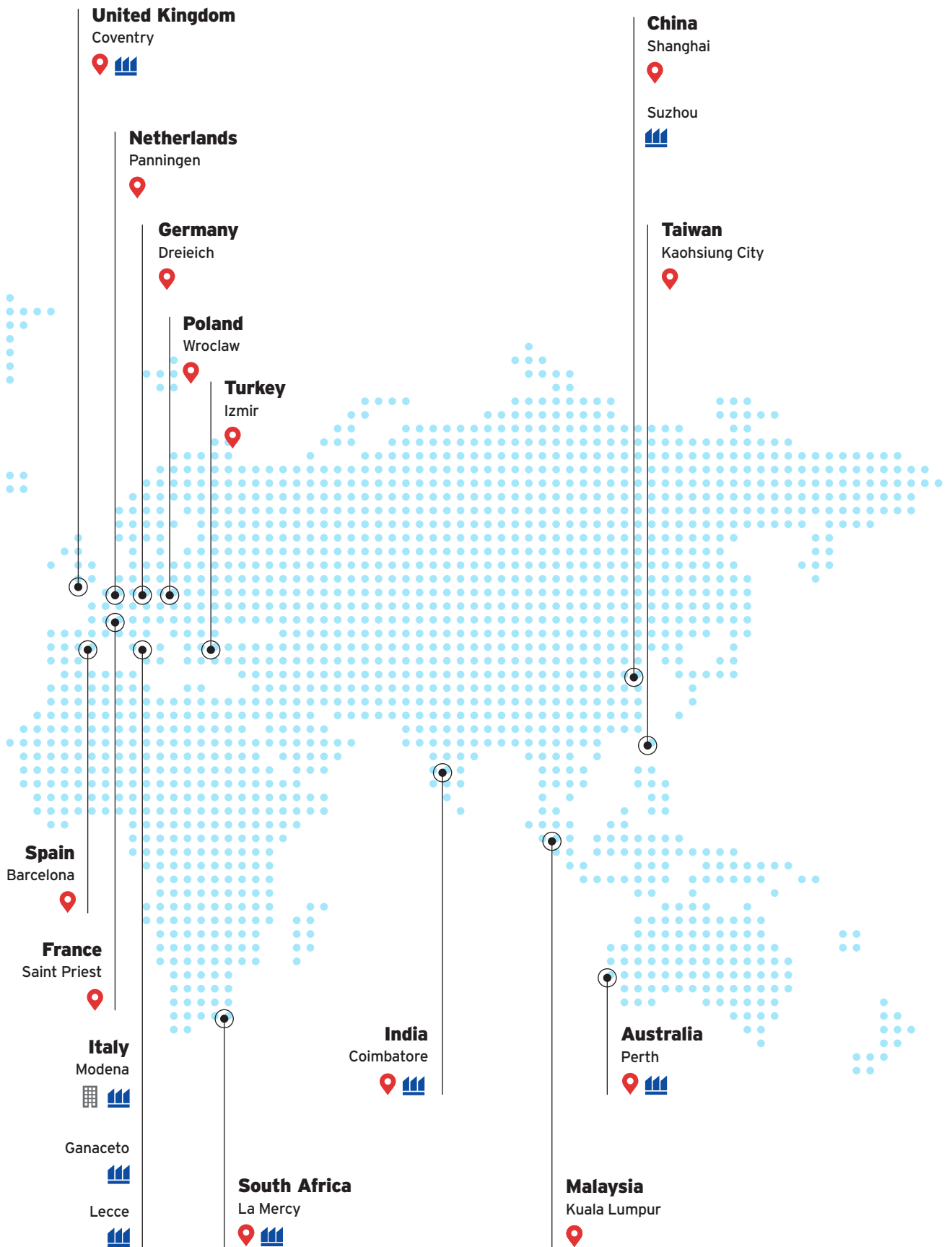
Main offices



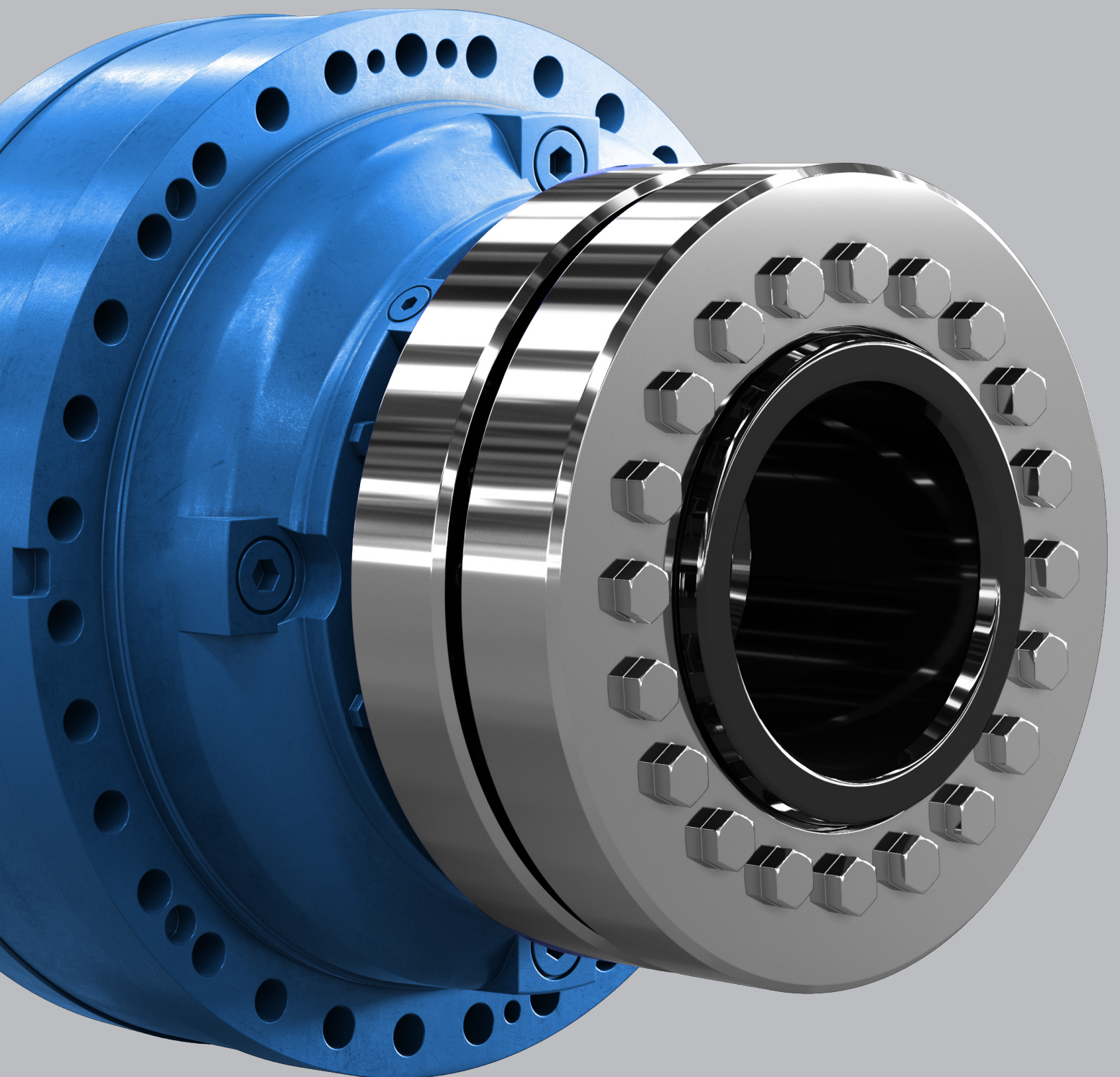
Affiliated companies



Production facilities/Assembly plants



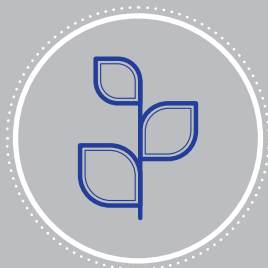
Features and benefits





Maximum performance

We drive the heaviest applications worldwide



Sustainability

We care about environment



Modular system

For cost-effective and high quality solutions



Innovation

We are constantly thinking forward, solutions for an evolving industry



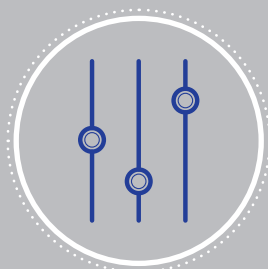
Digitalization

Rossi for You is always at your disposal for any info



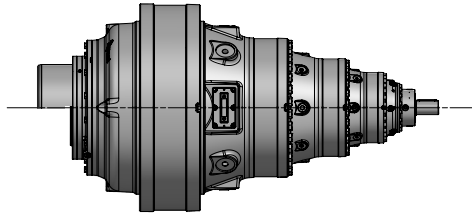
Know-how

We support you through interdisciplinary know-how

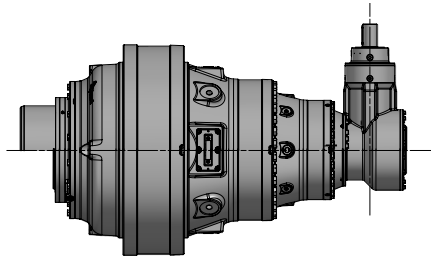


Customization

Cost-effective solutions starting from standard products

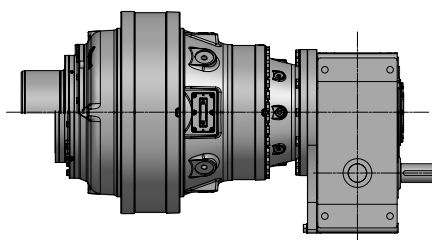


Planetary					
Size	M_{N2max} [kN m]	M_{2max} [kN m]	Ratio		Weight * [kg]
			from	to	
2EL 1060	1060	1800	19,9	28,6	4900
3EL 1060			83,1	168	5100
4EL 1060			348	1006	5150
5EL 1060			1223	5900	5200
3EL 1500	1500	2500	83,3	140	7020
4EL 1500			341	818	7070
5EL 1500			1199	4802	7120
3EL 2120	2120	3800	83,3	171	10020
4EL 2120			349	1006	10320
5EL 2120			1427	5891	10370
3EL 3000	3000	5400	94,8	136	16340
4EL 3000			396	798	16390
5EL 3000			1655	4790	16440

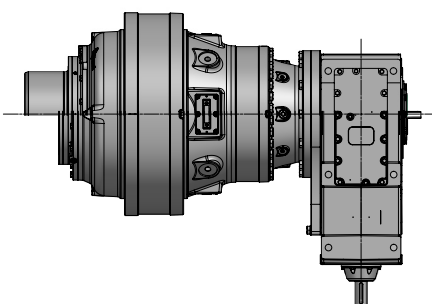


Planetary + Bevel Helical stage					
Size	$M_{N2 max}$ [kN m]	M_{2max} [kN m]	Ratio		Weight * [kg]
			from	to	
4EB 1060	1060	1800	208	838	5400
5EB 1060			871	5029	5400
5EB 1500	1500	2500	852	4092	7170
5EB 2120	2120	3800	869	5029	10520
5EB 3000	3000	5400	991	3991	16440

* Valid for Z and H output designs only.

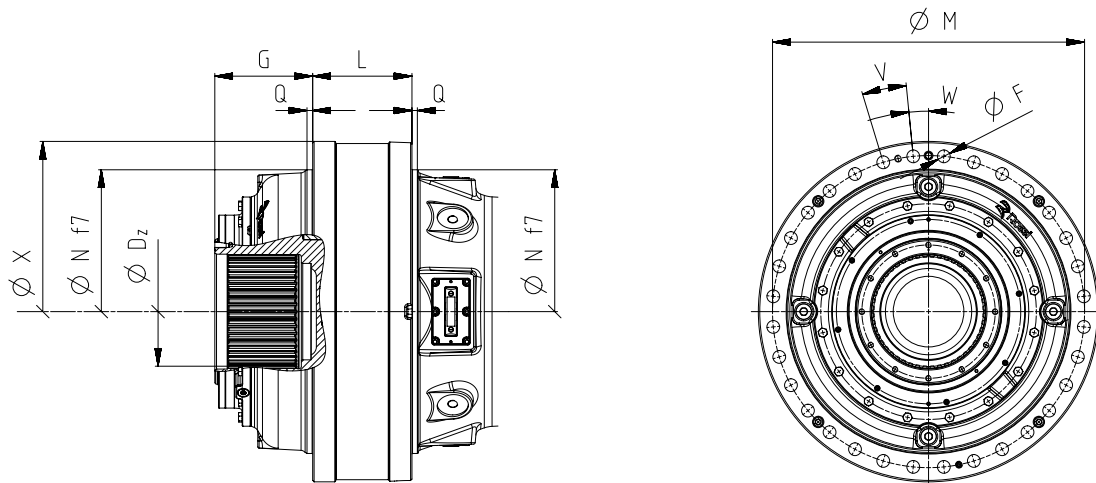


Combined units (Planetary + Helical gear reducer)							
Size	M_{N2max}	M_{2max}	Ratio		Weight *		
	[kN m]	[kN m]	from	to		[kg]	
1EL 1060 + 2I 5000 2EL 1060 + I 360 3EL 1060 + I/2I 250	1060	1800	66,7	118	11300		
1EL 1500 + 2I 5601 2EL 1500 + 2I 4000 3EL 1500 + I/2I 280			1500	2500	45,6	598	6500
1EL 2120 + 2I 6301 2EL 2120 + 2I 4500 3EL 2120 + I/2I 320					2120	3800	166
2EL 3000 + 2I 5000 3EL 3000 + I/2I 360 4EL 3000 + I/2I 250	3000	5400					67,6
1EL 1500 + 2I 5601 2EL 1500 + 2I 4000 3EL 1500 + I/2I 280			1500	2500			196
1EL 2120 + 2I 6301 2EL 2120 + 2I 4500 3EL 2120 + I/2I 320					2120	3800	192
2EL 3000 + 2I 5000 3EL 3000 + I/2I 360 4EL 3000 + I/2I 250	3000	5400					68,1
1EL 1500 + 2I 5601 2EL 1500 + 2I 4000 3EL 1500 + I/2I 280			1500	2500			227
1EL 2120 + 2I 6301 2EL 2120 + 2I 4500 3EL 2120 + I/2I 320					2120	3800	162
2EL 3000 + 2I 5000 3EL 3000 + I/2I 360 4EL 3000 + I/2I 250	3000	5400					317
1EL 1500 + 2I 5601 2EL 1500 + 2I 4000 3EL 1500 + I/2I 280			1500	2500			217
1EL 2120 + 2I 6301 2EL 2120 + 2I 4500 3EL 2120 + I/2I 320					2120	3800	792

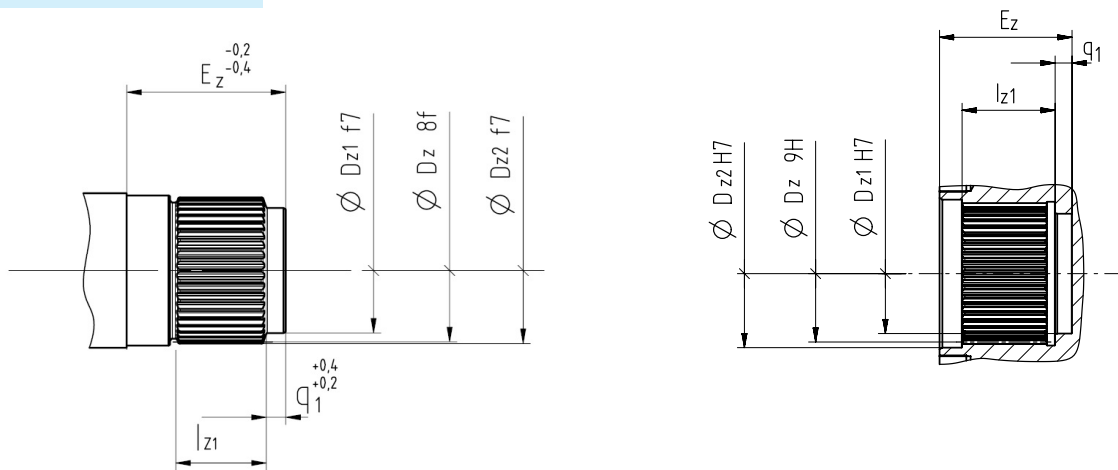


Combined units (Planetary + Bevel Helical gear reducer)							
Size	M_{N2max}	M_{2max}	Ratio		Weight *		
	[kN m]	[kN m]	from	to		[kg]	
1EL 1060 + C2I 5000 2EL 1060 + CI/C2I 360 3EL 1060 + CI/C2I 250	1060	1800	106	476	11500		
1EL 1500 + C2I 5601 2EL 1500 + CI/C2I 4000 3EL 1500 + CI/C2I 280			1500	2500	159	3748	6500
1EL 2120 + C2I 6301 2EL 2120 + CI/C2I 4500 3EL 2120 + CI/C2I 320					2120	3800	332
2EL 3000 + C2I 5000 3EL 3000 + CI/C2I 360 4EL 3000 + CI/C2I 250	3000	5400					121
1EL 1500 + C2I 5601 2EL 1500 + CI/C2I 4000 3EL 1500 + CI/C2I 280			1500	2500			154
1EL 2120 + C2I 6301 2EL 2120 + CI/C2I 4500 3EL 2120 + CI/C2I 320					2120	3800	679
2EL 3000 + C2I 5000 3EL 3000 + CI/C2I 360 4EL 3000 + CI/C2I 250	3000	5400					137
1EL 1500 + C2I 5601 2EL 1500 + CI/C2I 4000 3EL 1500 + CI/C2I 280			1500	2500			162
1EL 2120 + C2I 6301 2EL 2120 + CI/C2I 4500 3EL 2120 + CI/C2I 320					2120	3800	325
2EL 3000 + C2I 5000 3EL 3000 + CI/C2I 360 4EL 3000 + CI/C2I 250	3000	5400					503
1EL 1500 + C2I 5601 2EL 1500 + CI/C2I 4000 3EL 1500 + CI/C2I 280			1500	2500			759
1EL 2120 + C2I 6301 2EL 2120 + CI/C2I 4500 3EL 2120 + CI/C2I 320					2120	3800	1583

* Valid for Z and H output designs only.



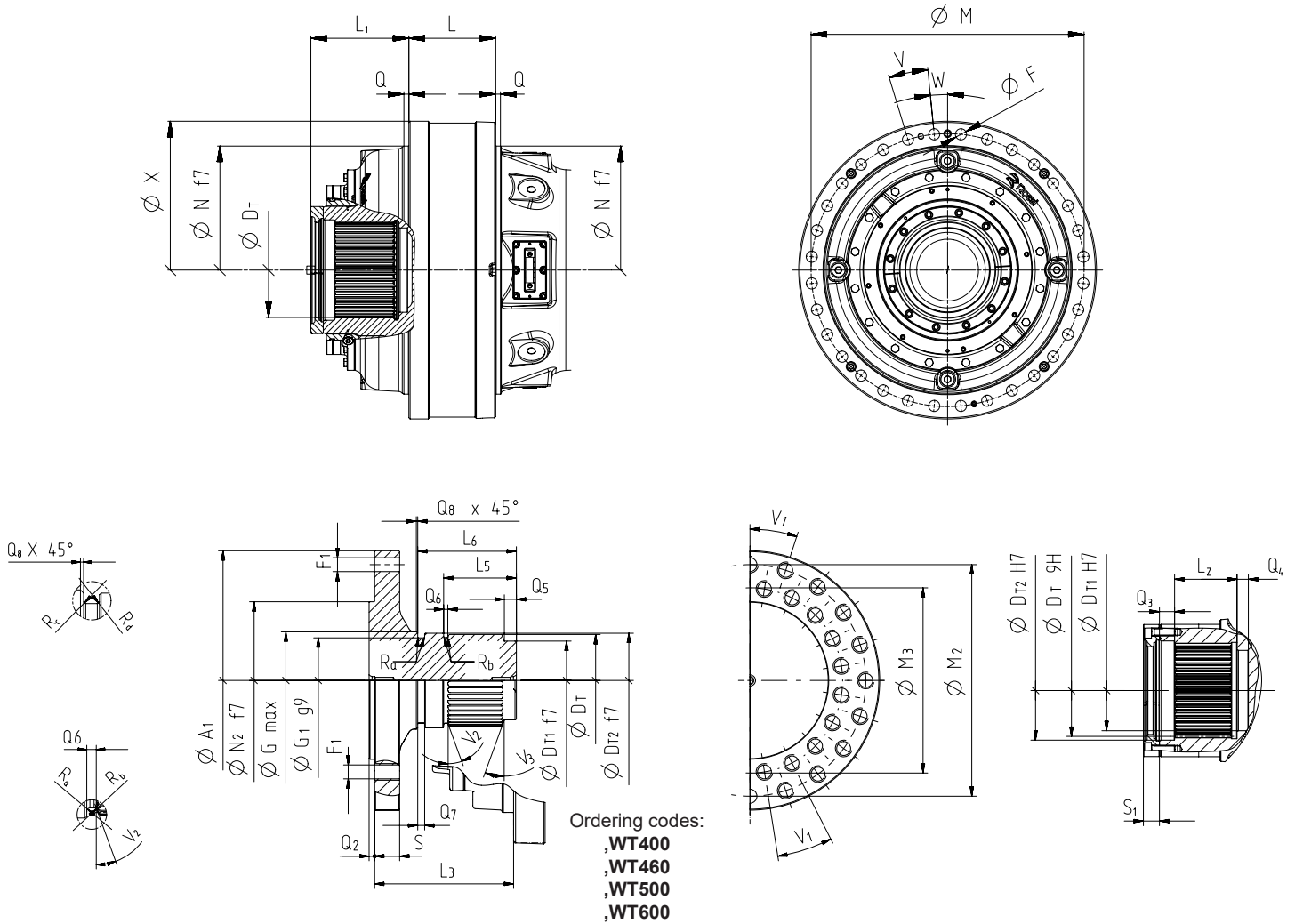
Suggested mating dimensions



Size	Ordering code *	X	N	G	Q	L	M	V	W	F
1060	Z400M1 F05o	1200	1000	345	22	350	1100	32 x 11,25°	5,625°	45
1500	Z460M1 F05p	1360	1150	400	25	400	1260	36x10°	5°	45
2120	Z500M1 F05q	1560	1320	440	30	440	1440	36x10°	5°	50
3000	Z600M1 F05r	1770	1500	530	35	500	1630	36x10°	5°	60

Size	D _Z (DIN 5480)	D _{Z1}	D _{Z2}	E _Z	l _{Z1}	q ₁
1060	400x8x30x48	340	405	340	260	35
1500	460x8x30x56	390	465	390	300	37
2120	500x8x30x61	420	505	430	330	44
3000	600x10x30x58	510	605	510	400	50

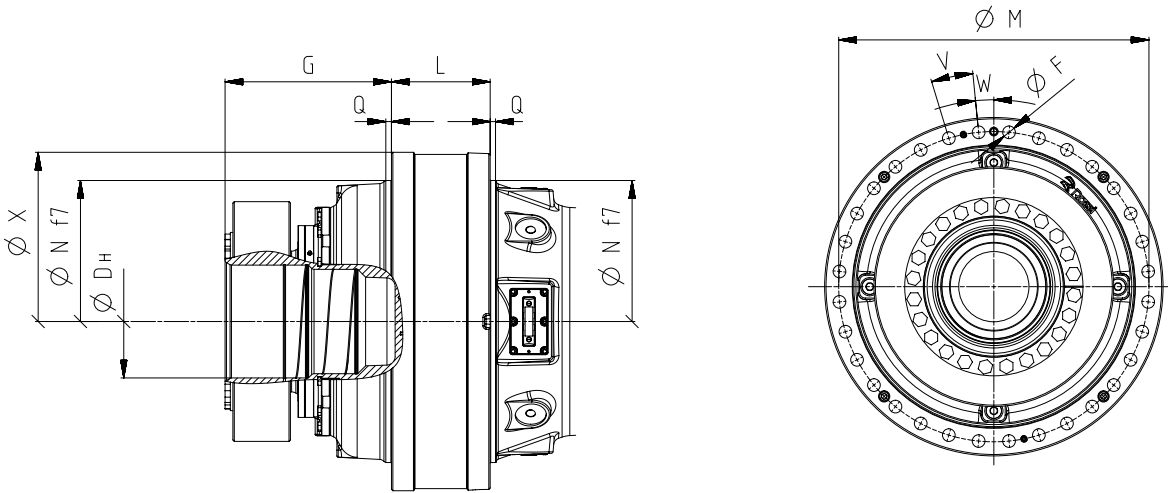
* For full designation details see page 2.2 cat. EP.



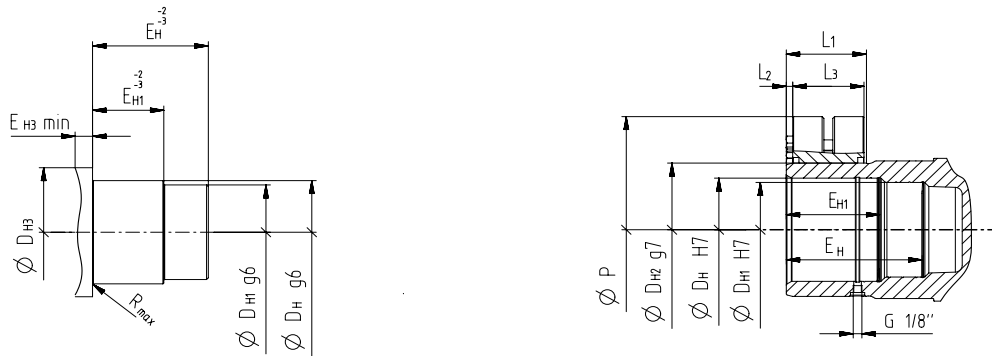
Size	Ordering code *	X	N	N ₂	A ₁	S	L ₃	L ₁	Q	L	M	M ₂	M ₃	V ₁	F ₁	V	W	F
1060	T400M1 F05o	1200	1000	640	990	75	515	345	22	350	1100	890	750	18°	20+20 M42	32 x 11,25°	5,625°	45
1500	T460M1 F05p	1360	1150	750	1140	85	600	400	25	400	1260	1040	870	16,364°	22+22 M42	36x10°	5°	45
2120	T500M1 F05q	1560	1320	880	1310	90	670	440	30	440	1440	1200	1020	16,364°	22+22 M48	36x10°	5°	50
3000	T600M1 F05r	1770	1500	1000	1480	100	780	530	35	500	1630	1350	1150	18°	20+20 M56	36x10°	5°	60

Size	G _{max}	G ₁	V ₂	V ₃	R _a	R _b	R _c	R _d	Q ₈	Q ₅	Q ₆	Q ₇	L ₅	L ₆	D _{T1}	D _T (DIN 5480)	D _{T2}	S ₁	Q ₂	Q ₃	Q ₄	L ₂
1060	425	380	20°	20°	4	8	2,5	2,5	10	37	11	18	297	372,5	340	400x8x30x48	405	50	15	45	35	260
1500	485	435	20°	20°	4,5	9	3	3	12	40	13	21	342	427	390	460x8x30x56	465	58	18	50	40	300
2120	528	472	20°	20°	4,5	9	3	3	14	47	13	23	377	472	420	500x8x30x61	505	65	20	55	45	330
3000	630	565	20°	20°	6	12	3,5	3,5	15	53	15	27	453	559	510	600x10x30x58	605	72	22	60	50	400

* For full designation details see page 2.2 cat. EP.



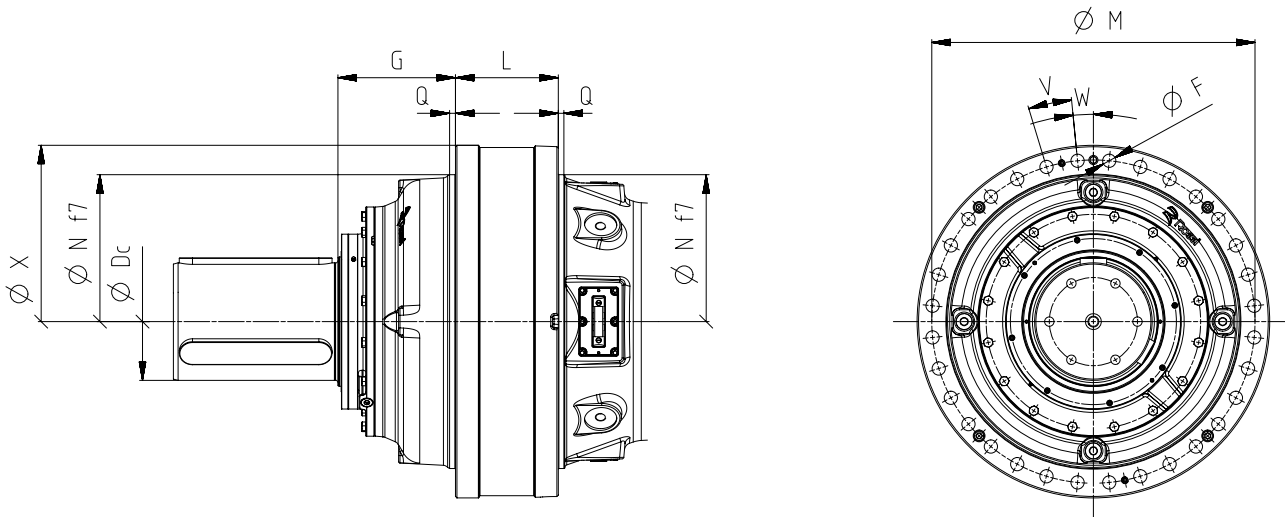
Suggested mating dimensions



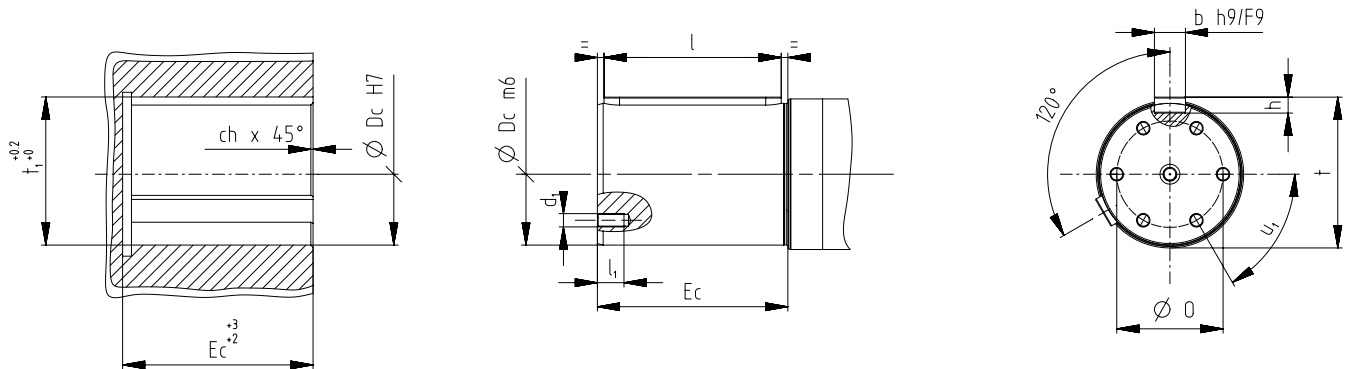
Size	Ordering code *	X	N	G	L	Q	M	V	W	F
1060	H400M1 A10o	1200	1000	590	350	22	1100	32 x 11,25°	5,625°	45
1500	H460M1 A10p	1360	1150	670	400	25	1260	36x10°	5°	45
2120	H510M1 A10q	1560	1320	770	440	30	1440	36x10°	5°	50
3000	H600M1 A10r	1770	1500	870	500	35	1630	36x10°	5°	60

Size	DH	DH1	DH2	DH3		EH	EH1	EH3	L1	L2	L3	P	R
				min	max								
1060	400	370	500	475	500	460	285	57	248	19	223	850	10
1500	460	425	560	545	560	540	335	57	283	19	258	940	12
2120	510	470	620	600	620	610	390	57	336	19	306	970	13,5
3000	600	555	750	710	750	705	440	63	346	26	320	1230	15

* For full designation details see page 2.2 cat. EP.



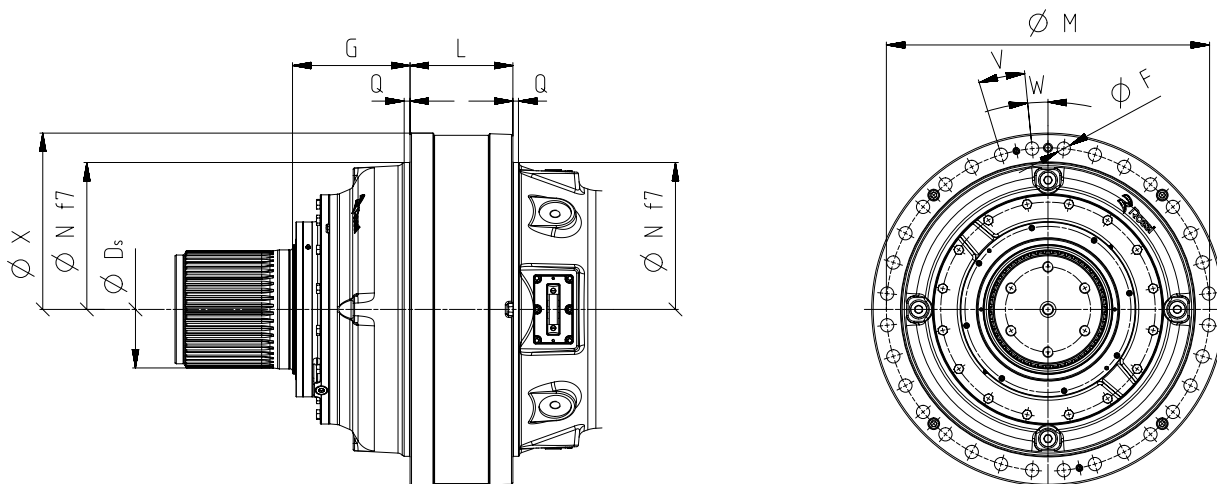
Suggested mating dimensions



Size	Ordering code *	X	N	G	Q	L	M	V	W	F
1060	C400M1 F10o	1200	1000	400	22	350	1100	32 x 11,25°	5,625°	45
1500	C460M1 F10p	1360	1150	450	25	400	1260	36x10°	5°	45
2120	C500M1 F10q	1560	1320	500	30	440	1440	36x10°	5°	50
3000	C600M1 F10r	1770	1500	550	35	500	1630	36x10°	5°	60

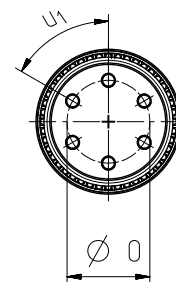
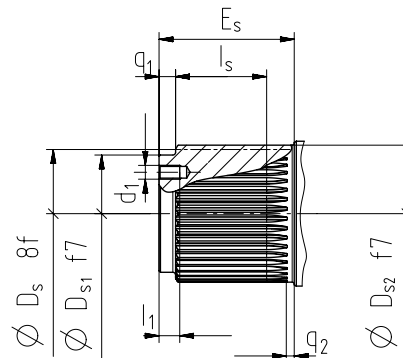
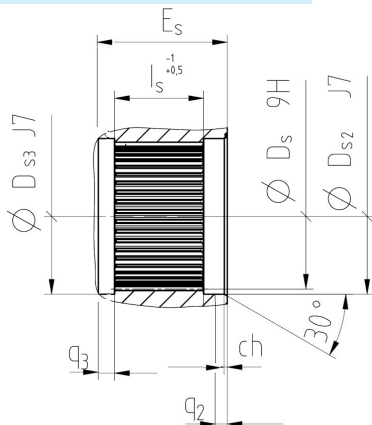
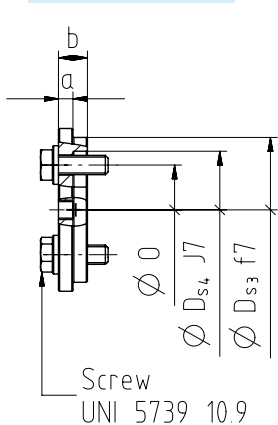
Size	D _c	E _c	t ₁	d ₁	l ₁	l	b	h	O	t	u ₁	ch
1060	400	560	418	M36	72	520	90	45	300	417	6x60°	8
1500	460	670	480	M42	85	620	100	50	350	479	6x60°	10
2120	500	710	520	M48	96	660	100	50	370	519	6x60°	10
3000	600	850	626	M56	112	800	130	65	450	625	6x60°	12

* For full designation details see page 2.2 cat. EP.



Stop washer

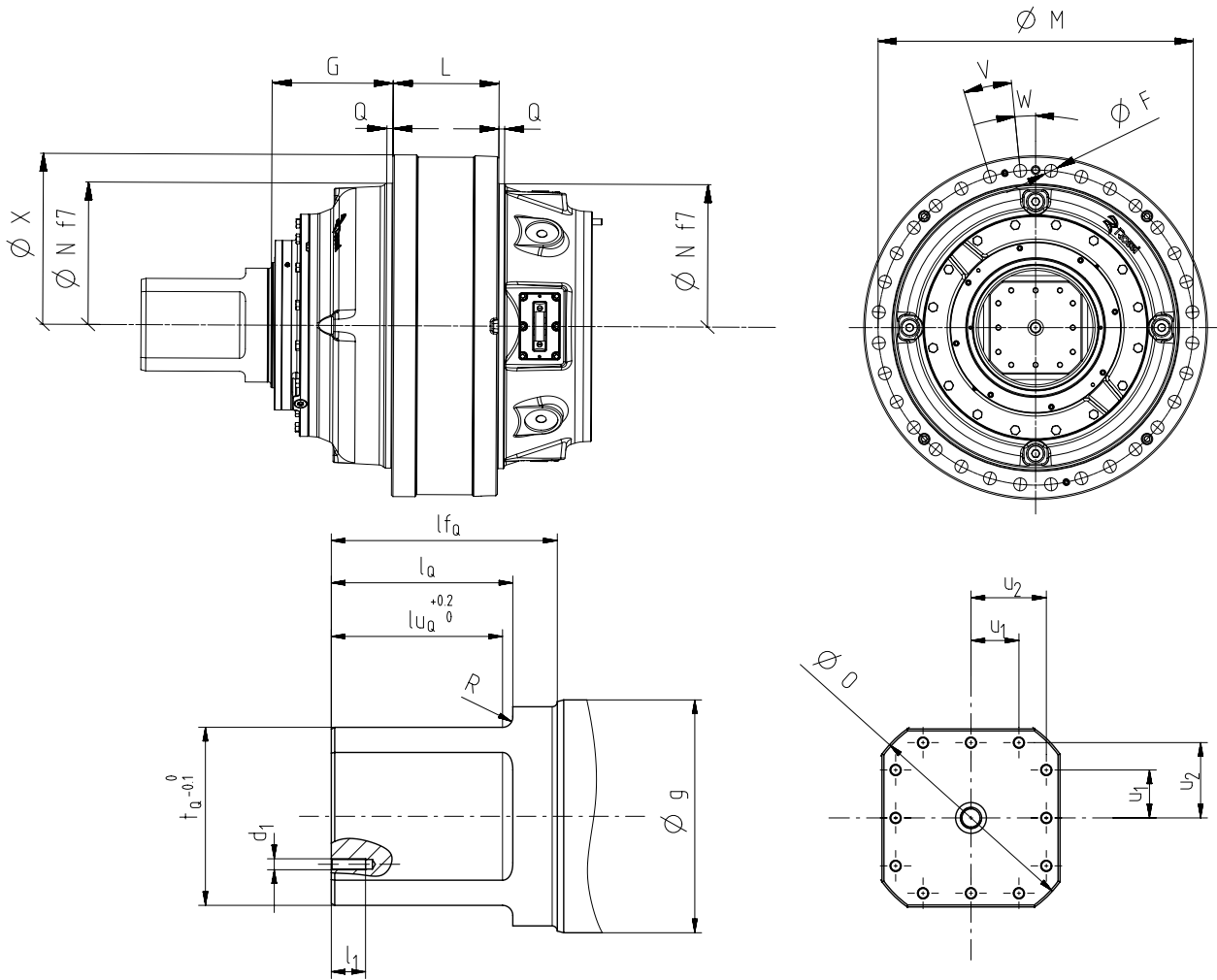
Suggested mating dimensions



Size	Ordering code *	X	N	G	Q	L	M	V	W	F
1060	S400M1 F10o	1200	1000	400	22	350	1100	32 x 11,25°	5,625°	45
1500	S460M1 F10p	1360	1150	450	25	400	1260	36x10°	5°	45
2120	S500M1 F10q	1560	1320	500	30	440	1440	36x10°	5°	50
3000	S600M1 F10r	1770	1500	550	35	500	1630	36x10°	5°	60

Size	Ds (DIN 5480)	Ds1	Ds2	Ds3	Ds4	Es	q1	q2	q3	ls	ch	a	b	d1	l1	u1	O	screw
1060	400 x 8 x 30 x 48	370	405	430	370	400	72	45	35	260	14	42	76	6xM36	72	30°	290	M36x110
1500	460 x 8 x 30 x 56	430	465	495	430	460	85	50	40	300	16	48	87	6xM42	85	30°	330	M42x130
2120	500 x 8 x 30 x 61	470	505	540	470	500	96	55	45	330	18	52	94	6xM48	96	30°	360	M48x140
3000	600 x 10 x 30 x 58	565	605	650	565	600	112	60	50	400	24	63	111	6xM56	112	30°	430	M56x170

* For full designation details see page 2.2 cat. EP.

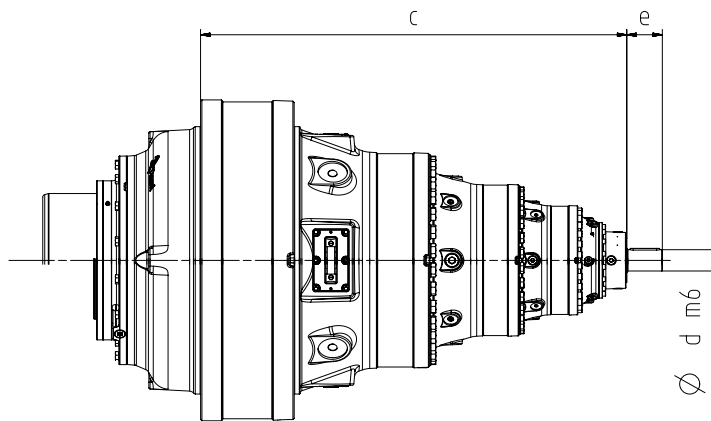


Size	Ordering code *	X	N	G	L	Q	M	V	W	F
1060	Q400M1 F10	1200	1000	400	350	22	1100	32 x 11,25°	5,625°	45
1500	Q460M1 F10	1360	1150	450	400	25	1260	36x10°	5°	45
2120	Q500M1 F10	1560	1320	500	440	30	1440	36x10°	5°	50
3000	Q600M1 F10	1770	1500	550	500	35	1630	36x10°	5°	60

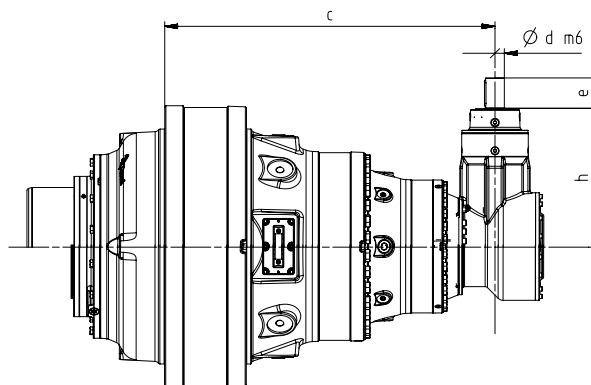
Size	t _q	l _q	l _{f_q}	l _{u_q}	g	l ₁	d ₁	O	u ₁	u ₂	R
1060	400	400	430	326	440	45	12xM18	490	85	130	20
1500	460	460	514	390	515	60	12xM24	550	105	158	26
2120	500	500	545	413	570	75	12xM30	605	115	172	32
3000	600	600	652	494	670	90	12xM36	735	138	206	40

* For full designation details see page 2.2 cat. EP.

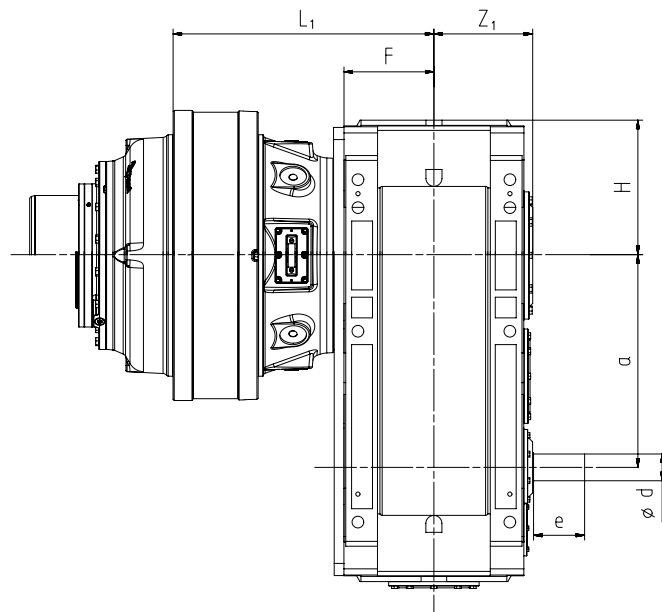
Main overall dimensions



Planetary									
Size	3EL			4EL			5EL		
	c	d	e	c	d	e	c	d	e
1060A	1605	120	165	1618,5	80	130	1676,5	60	105
1500A	1785	140	200	1911,5	100	165	1916,5	70	105
2120A	1984,5	160	240	2086	110	165	2168	80	130
3000A	-	-	-	2465,5	120	165	2479	80	130



Planetary + Bevel Helical stage								
Size	4EB				5EB			
	c	d	e	h	c	d	e	h
1060A	1436	80	130	589	1581,5	70	105	478
1500A	-	-	-	-	1836,5	70	105	478
2120A	-	-	-	-	2000	80	130	589
3000A	-	-	-	-	2291,5	80	130	589

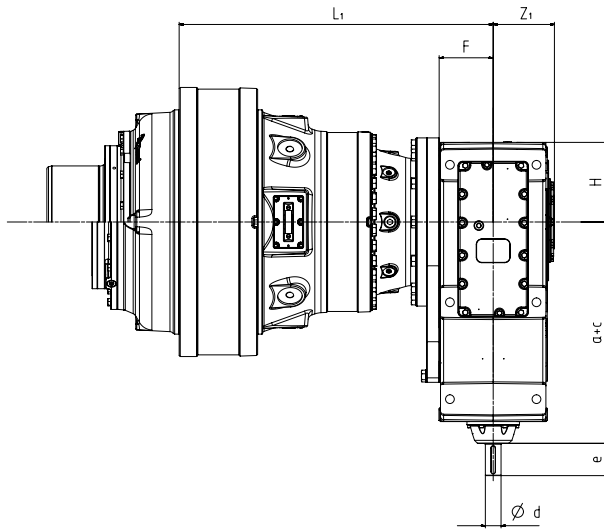


Combined units (Planetary + Helical gear reducer)									
Size	F	L_1^*	Z_1	H	a	d	e	d	e
1EL 1060 + 2I 5000	370	1180	410	560	875	$i_N \leq 12,5$		$i_N \geq 14$	
1EL 1500 + 2I 5601	370	1269	445	560	935	-	-	110	210
1EL 2120 + 2I 6301	406	1383	490	630	1080	-	-	125	210
2EL 1500 + 2I 4000	296	1647	330	450	700	$i_N \leq 11,2$		$i_N \geq 12,5$	
2EL 2120 + 2I 4500	296	1765,5	358	450	750	$i_N \leq 12,5$		$i_N \geq 14$	
2EL 3000 + 2I 5000	370	2062,5	410	560	875	-	-	110	210
3EL 1060 + I 250	195	1550,5	206	280	250	$i_N \leq 3,55$		$i_N \geq 4$	
3EL 1500 + I 280	195	1776,5	222	280	280	$i_N \leq 4$		$i_N \geq 4,5$	
3EL 2120 + I 320	241	1976	254	355	320	$i_N \leq 3,55$		$i_N \geq 4$	
3EL 3000 + I 360	241	2283	273	355	360	$i_N \leq 4$		$i_N \geq 4,5$	
3EL 1060 + 2I 250	195	1550,5	206	280	450	70	140	-	-
3EL 1500 + 2I 280	195	1776,5	222	280	480	70	140	-	-
3EL 2120 + 2I 320	241	1976	254	355	570	90	170	-	-
3EL 3000 + 2I 360	241	2283	273	355	610	90	170	-	-
4EL 3000 + I 250	195	2426,5	206	280	250	$i_N \leq 3,55$		$i_N \geq 4$	
4EL 3000 + 2I 250	195	2447,5	206	280	450	70	140	-	-

Note: It is possible to define special composition.

*The dimensions may change according to configuration, so please contact Rossi for confirmation.

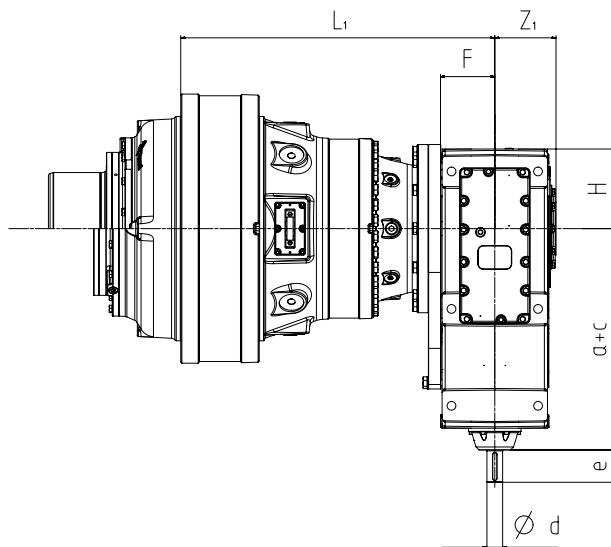
Main dimensions



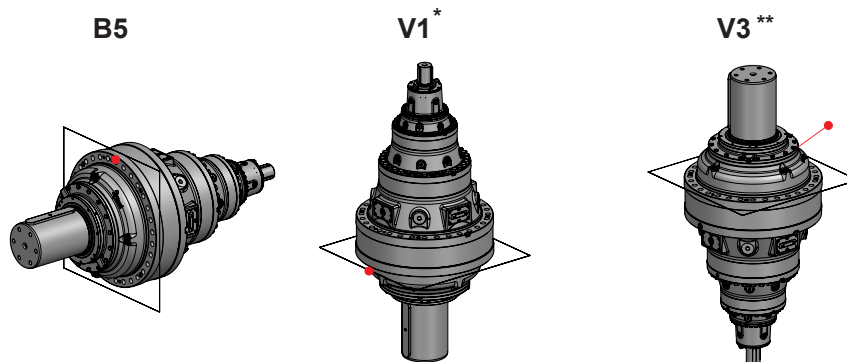
Combined units (Planetary + Bevel Helical gear reducer)									
Size	F	L_1^*	Z_1	H	d		e		a + c
1EL 1060 + C2I 5000	370	1180	410	560	$i_N \leq 50$		$i_N \geq 56$		875 + 605
					100 m6	210	80 m6	170	
1EL 1500 + C2I 5601	370	1269	445	560	$i_N \leq 56$		$i_N \geq 63$		935 + 605
1EL 2120 + C2I 6301	406	1383	695	630	$i_N \leq 50$		$i_N \geq 56$		1080 + 605
2EL 1060 + CI 360	241	1400,5	273	355	$i_N \leq 11,2$		$i_N \geq 12,5$		360 + 480
					90 m6	170	70 m6	140	
2EL 1500 + CI 4000	296	1647	330	450	$i_N \leq 11,2$		$i_N \geq 12,5$		400 + 605
2EL 2120 + CI 4500	296	1765,5	358	450	$i_N \leq 12,5$		$i_N \geq 14$		450 + 605
2EL 1060 + C2I 360	241	1400,5	273	355	$i_N \leq 31,5$		$i_N \geq 35,5 \dots 63$		610 + 245
					70 m6	140	55 m6	110	
2EL 1500 + C2I 4000	296	1647	330	450	$i_N \leq 50$		$i_N \geq 56$		700 + 480
					80 m6	170	65 m6	140	
2EL 2120 + C2I 4500	296	1765,5	358	450	$i_N \leq 56$		$i_N \geq 63$		750 + 480
2EL 3000 + C2I 5000	370	2062,5	410	560	$i_N \leq 50$		$i_N \geq 56$		875 + 605
					100 m6	210	80 m6	170	

Note: It is possible to define special composition.

*The dimensions may change according to configuration, so please contact Rossi for confirmation.



Combined units (Planetary + Bevel Helical gear reducer)										
Size	F	L ₁	Z ₁	H	a + c	d	e	a + c	d	e
3EL 1060 + CI 250	195	1550,5	206	280	$i_N \leq 10$		140	$i_N \geq 11,2$		
					380 + 250	70 m6		357 + 250	55 m6	110
3EL 1500 + CI 280	195	1775,5	222	280	$i_N \leq 11,2$		140	$i_N \geq 12,5$		
					380 + 280	70 m6		357 + 280	55 m6	110
3EL 2120 + CI 320	241	1976	254	355	$i_N \leq 10$		170	$i_N \geq 11,2$		
					480 + 320	90 m6		480 + 320	70 m6	140
3EL 3000 + CI 360	241	2283	273	355	$i_N \leq 11,2$		170	$i_N \geq 12,5$		
					360 + 480	90 m6		360 + 480	70 m6	140
3EL 1060 + C2I 250	195	1550,5	206	280	$i_N \leq 31,5$		110	$i_N \geq 35,5$		
					450 + 305	55 m6		450 + 282	48 k6	110
3EL 1500 + C2I 280	195	1776,5	222	280	$i_N \leq 31,5$		110	$i_N \geq 35,5$		
					480 + 305	55 m6		480 + 282	48 k6	110
3EL 2120 + C2I 320	241	1976	254	355	$i_N \leq 31,5$		140	$i_N \leq 31,5$		
					570 + 380	70 m6		570 + 357	55 m6	110
3EL 3000 + C2I 360	241	2283	273	355	$i_N \leq 31,5$		140	$i_N \geq 35,5$		
					610 + 380	70 m6		610 + 357	55 m6	110
4EL 3000 + CI 250	195	2426,5	206	280	$i_N \leq 10$		140	$i_N \geq 11,2$		
					250 + 380	70 m6		250 + 357	55 m6	110
4EL 3000 +C2I 250	195	2447,5	206	280	$i_N \leq 31,5$		110	$i_N \leq 31,5$		
					450 + 305	55 m6		450 + 282	48 k6	110

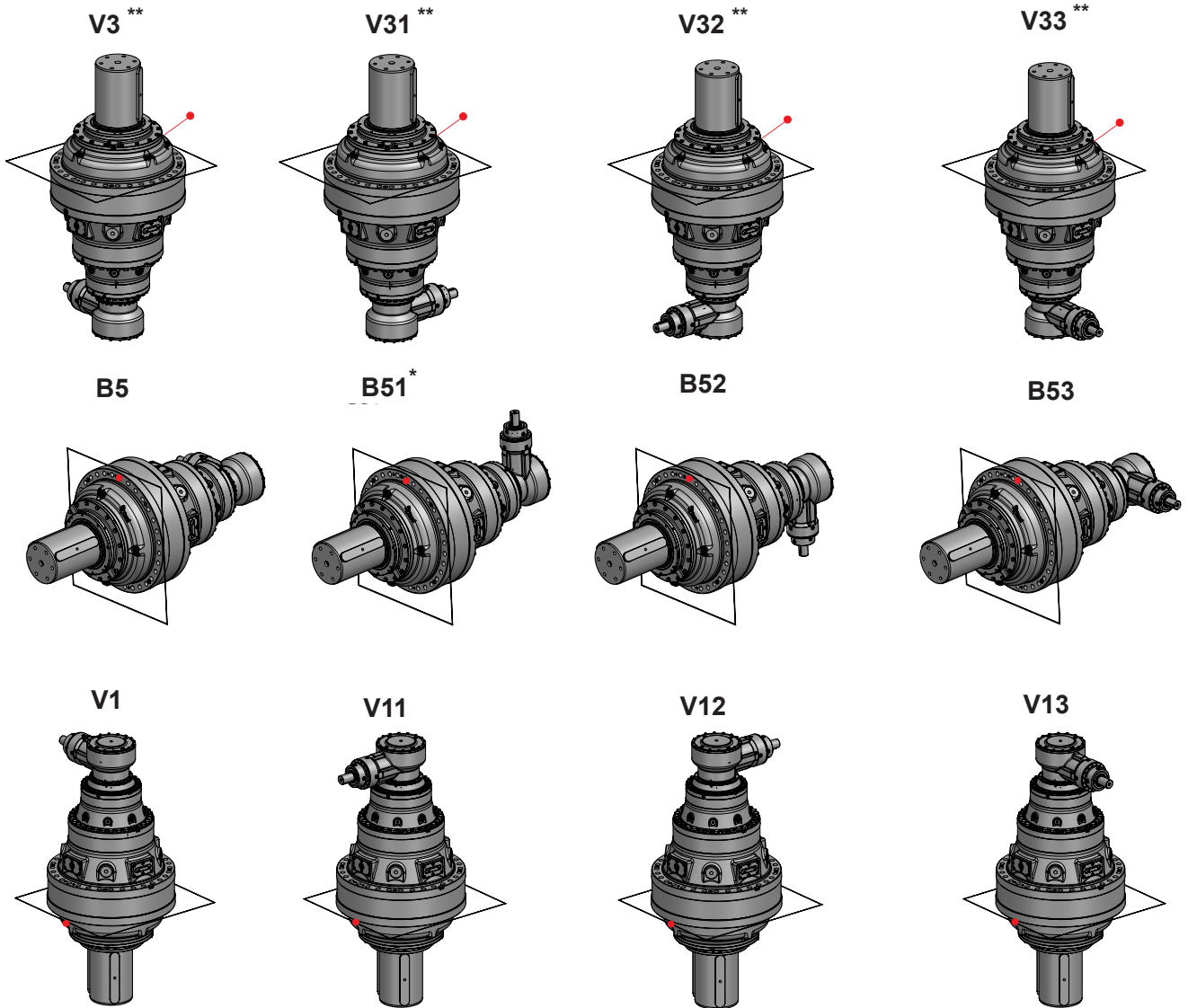


Planetary			
Size	Oil quantity [l]		
	V1	V3	B5
2EL 1060	315	309	158
3EL 1060	301	295	151
4EL 1060	301	295	151
5EL 1060	302	296	151
3EL 1500	397	389	199
4EL 1500	399	391	200
5EL 1500	400	392	200
3EL 2120	499	489	250
4EL 2120	507	497	254
5EL 2120	439	430	220
3EL 3000	830	813	415
4EL 3000	863	846	432
5EL 3000	846	829	423

* Based on the gear reducer size and input type, the expansion tank is required.

** Based on the output design, the expansion tank is required.

● Reference hole for the identification of the mounting position.



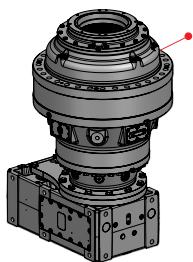
Planetary + Bevel Helical stage			
Size	Oil quantity [l]		
	B51,V1...V3	B52	B5, B53
4EB 1060	321	192	161
5EB 1060	316	175	158
5EB 1500	415	225	208
5EB 2120	488	275	244
5EB 3000	864	463	432

* Based on the gear reducer size and input type, the expansion tank is required.

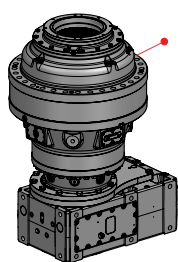
** Based on the output design, the expansion tank is required.

● Reference hole for the identification of the mounting position.

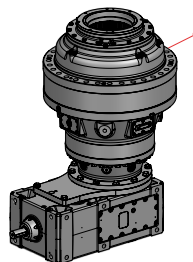
Mounting positions & Oil quantities



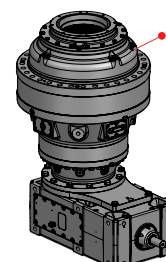
V3



V31



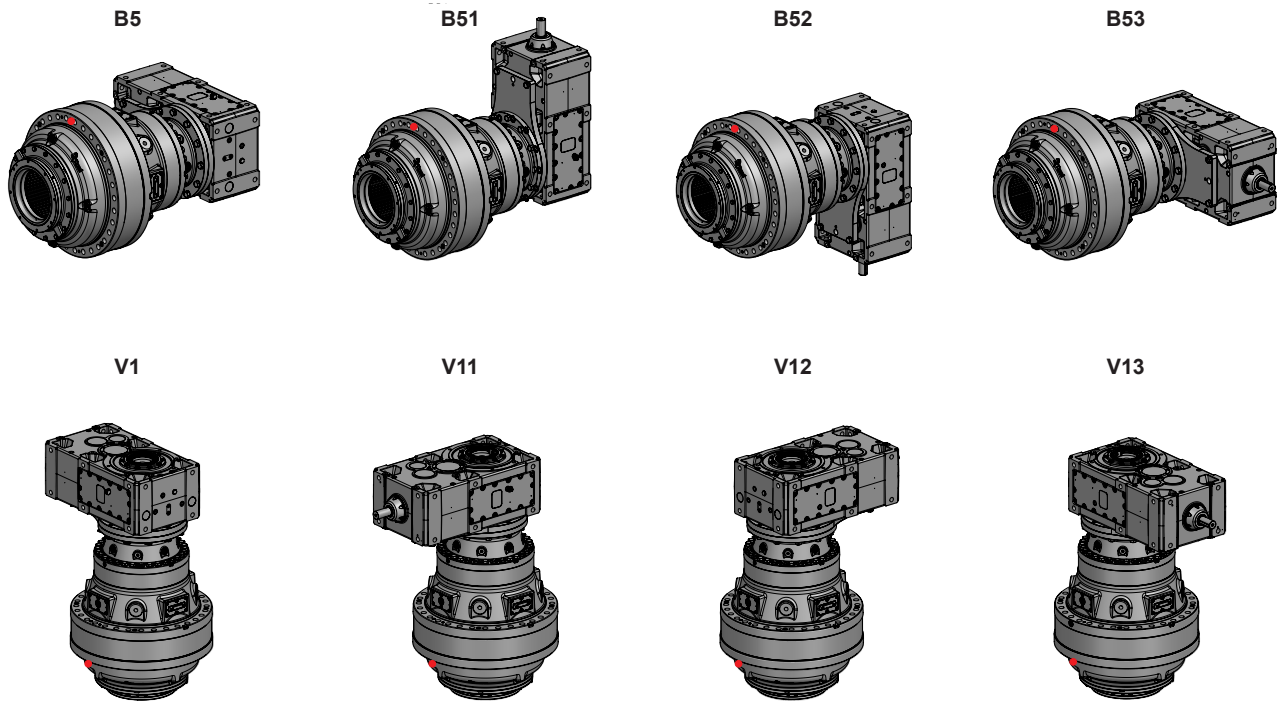
V32



V33

- Reference hole for the identification of the mounting position.

Combined units (Planetary + Helical gear reducer)													
Size	Oil quantity [l]						Size	Oil quantity [l]					
	B5	B51	B52	B53	V3... V33	V1... V13		B5	B51	B52	B53	V3... V33	V1... V13
R 1EL 1060	-	-	-	-	-	-	R 1EL 1060	128,5	128,5	128,5	128,5	257	257
R I 5000	-	-	-	-	-	-	R 2I 5000	265	450	425	265	500	500
2EL 1060	143	143	143	143	286	286	2EL 1060	143	143	143	143	286	286
R I 360	120	127	141	80	150	150	R 2I 360	100	156	140	100	140	140
3EL 1060	147,5	147,5	147,5	147,5	295	295	3EL 1060	147,5	147,5	147,5	147,5	295	295
R I 250	40	52	57	40	35	67	R 2I 250	100	75	67	47	67	67
1EL 1500	-	-	-	-	-	-	1EL 1500	197,5	197,5	197,5	197,5	395	395
R I 5601	-	-	-	-	-	-	R 2I 5601	224	265	450	224	500	450
2EL 1500	-	-	-	-	-	-	2EL 1500	189,5	189,5	189,5	189,5	379	379
R I 4000	-	-	-	-	-	-	R 2I 4000	118	150	224	118	250	236
3EL 1500	198,5	198,5	198,5	198,5	397	397	3EL 1500	198,5	198,5	198,5	198,5	397	397
R I 280	61	65	72	41	36	77	R 2I 280	51	80	72	51	72	72
1EL 2120	-	-	-	-	-	-	1EL 2120	243,5	243,5	243,5	243,5	487	487
R I 6301	-	-	-	-	-	-	R 2I 6301	335	400	670	335	710	630
2EL 2120	-	-	-	-	-	-	2EL 2120	239,5	239,5	239,5	239,5	479	479
R I 4500	-	-	-	-	-	-	R 2I 4500	112	140	236	112	250	224
3EL 2120	249,5	250	250	250	499	499	3EL 2120	249,5	250	250	250	499	499
R I 320	78	102	111	78	67	130	R 2I 320	97	152	137	97	137	137
2EL 3000	-	-	-	-	-	-	2EL 3000	411,5	411,5	411,5	411,5	823	823
R I 5000	-	-	-	-	-	-	R 2I 5000	236	300	450	236	500	500
3EL 3000	415	415	415	415	830	830	3EL 3000	415	415	415	415	830	830
R I 360	80	127	141	120	71	150	R 2I 360	100	156	140	100	140	140
4EL 3000	428,5	428,5	428,5	428,5	857	857	4EL 3000	428,5	428,5	428,5	428,5	857	857
R I 250	40	52	57	40	35	67	R 2I 250	47	75	67	47	67	67



Combined units (Planetary + Bevel Helical gear reducer)

Size	Oil quantity [l]						Size	Oil quantity [l]					
	B5	B51	B52	B53	V3... V33	V1... V13		B5	B51	B52	B53	V3... V33	V1... V13
R 1EL 1060	-	-	-	-	-	-	R 1EL 1060	128,5	128,5	128,5	128,5	257	257
R CI 5000	-	-	-	-	-	-	R C2I 5000	265	450	425	265	500	500
2EL 1060	143	143	143	143	286	286	2EL 1060	143	143	143	143	286	286
R CI 360	120	127	141	80	150	150	R C2I 360	100	156	140	100	140	140
3EL 1060	147,5	147,5	147,5	147,5	295	295	3EL 1060	147,5	147,5	147,5	147,5	295	295
R CI 250	40	65	72	41	67	67	R C2I 250	100	75	67	100	67	67
1EL 1500	-	-	-	-	-	-	1EL 1500	197,5	197,5	197,5	197,5	395	395
R CI 5601	-	-	-	-	-	-	R C2I 5601	265	450	425	265	475	450
2EL 1500	189,5	189,5	189,5	189,5	379,0	379,0	2EL 1500	189,5	189,5	189,5	189,5	379	379
R CI 4000	100,0	150,0	160,0	100,0	118,0	112,0	R C2I 4000	132	224	224	132	250	224
3EL 1500	198,5	198,5	198,5	198,5	397	397	3EL 1500	198,5	198,5	198,5	198,5	397	397
R CI 280	61	65	72	41	77	77	R C2I 280	51	80	72	51	72	72
1EL 2120	-	-	-	-	-	-	1EL 2120	243,5	243,5	243,5	243,5	487	487
R CI 6301	-	-	-	-	-	-	R C2I 6301	375	630	630	375	710	630
2EL 2120	-	-	-	-	-	-	2EL 2120	239,5	239,5	239,5	239,5	479	479
R CI 4500	-	-	-	-	-	-	R C2I 4500	132	224	224	132	250	224
3EL 2120	249,5	250	250	250	499	499	3EL 2120	249,5	250	250	250	499	499
R CI 320	78	102	111	78	130	130	R C2I 320	97	152	137	97	137	137
2EL 3000	-	-	-	-	-	-	2EL 3000	411,5	411,5	411,5	411,5	823	823
R CI 5000	-	-	-	-	-	-	R C2I 5000	265	450	425	265	500	500
3EL 3000	415	415	415	415	830	830	3EL 3000	415	415	415	415	830	830
R CI 360	120	127	141	80	150	150	R C2I 360	100	156	140	100	140	140
4EL 3000	428,5	428,5	428,5	428,5	857	857	4EL 3000	428,5	428,5	428,5	428,5	857	857
R CI 250	40	65	72	41	67	67	R C2I 250	100	75	67	100	67	67



Rossi

Solutions for
an evolving
industry

Rossi S.p.A.

Via Emilia Ovest 915/A
41123 Modena - Italy

info@rossi.com
www.rossi.com

2626.CAT.EPKING-24.09-0-EN

© Rossi S.p.A. Rossi reserves the right to make any modification whenever to this publication contents. The information given in this document only contains general descriptions and/or performance features which may not always specifically reflect those described.

The Customer is responsible for the correct selection and application of product in view of its industrial and/or commercial needs, unless the use has been recommended by technical qualified personnel of Rossi, who were duly informed about Customer's application purposes. In this case all the necessary data required for the selection shall be communicated exactly and in writing by the Customer, stated in the order and confirmed by Rossi. The Customer is always responsible for the safety of product applications. Every care has been taken in the drawing up of the catalog to ensure the accuracy of the information contained in this publication, however Rossi can accept no responsibility for any errors, omissions or outdated data. Due to the constant evolution of the state of the art, Rossi reserves the right to make any modification whenever to this publication contents. The responsibility for the product selection is of the Customer, excluding different agreements duly legalized in writing and undersigned by the Parties.